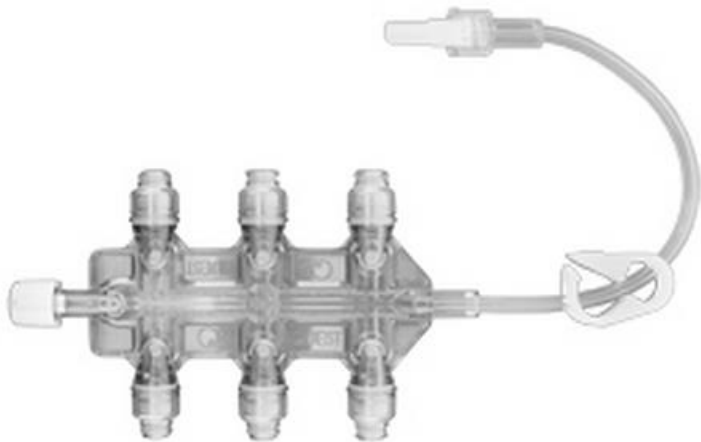




10 in. (25 cm) Q2® MultiPort® Extension Set with 7 gravity activated checkvalves

REF 9520 Approximate priming volume 2.0 ml 1 UNIT



STERILE EO



Rx ONLY



EC REP

0 1 2 3
M. Devices Group
Marlborough House
Riding Street
Southport, PR8, IEW, UK
Tel: +44 1704 544 944
Fax: +44 1704 544 050

For Warnings & Cautions
Please consult:
www.questmedical.com

Made in U.S.A.

QUEST Medical, Inc.

904286 REV B
JUL 14

www.questmedical.com • One Allentown Parkway • Allen, TX 75002 • 800.627.0226 • 972.390.9800
©2014 Quest Medical, Inc. Q2, CheckMate, and MultiPort are registered trademarks of Quest Medical, Inc.

10 in. (25 cm) Q2® MultiPort® Extension Set with 7 gravity activated checkvalves

Instructions For Use

Intended Use:

For administration of intravenous fluids to a patient's vascular system utilizing needle-free components and I.V. manifold for multiple simultaneous intravenous therapy via gravity, syringe, or infusion pump.

Procedure — Use Aseptic Technique:

1. Place pouch on surface and remove set.
2. Ensure all connections and caps are tightened as necessary.
3. Drip chamber sets: Close clamp, if applicable, on set. Prepare solution container. Insert spike and suspend container on I.V. pole. Squeeze and release drip chamber until it is approximately half full. Open clamp and allow fluid to fill tubing.
4. Non-drip chamber sets: Prime set by attaching main IV set to top most port on IV set and allow fluid to fill entire set.
5. NOTE: Entrained air may be removed from manifold, Y-sites, and in-line checkvalve by inverting and tapping. Q2® injection sites may be primed using a flush syringe.
6. Close clamp.
7. Connect set to patient's vascular access device and establish flow.

Secondary Infusions and Preparation of Q2® Injection Sites:

Manifolds have in-line gravity checkvalves on top most port and one-way injection ports in the following configurations:

- Q2 CheckMate® side ports—pressure activated checkvalves (infusion via syringe or pump)
 - Q2 MultiPort® side ports—gravity checkvalves (infusion via gravity, syringe, or pump).
1. Prime a secondary set or syringe in the usual manner.
 2. If necessary, swab septum with preferred antiseptic and allow to dry, or remove injection site cap.
 3. Expel air as needed.
 4. Attach secondary set and infuse desired amount of fluid.
 5. Replace cap if necessary.

IV Push:

1. Prepare syringe.
2. Close clamp between injection site and vascular access device. Attach syringe. DO NOT allow air to enter line.
3. Open clamp downstream of injection site.
4. Push medication as prescribed and flush tubing.